

Air Purifier
AirJet 2000



BestAir 

Content

SAFETY INSTRUCTIONS	3
PRODUCT DESCRIPTION	5
INSTALLATION:	7
FILTER CHANGING:	10
FILLING THE WATER TANK:	12
SERVICING AND CLEANING OF THE WATER TANKS AND ITS COMPONENTS:	13
TROUBLE SHOOTING	13
TECHNICAL DETAILS:	13

Congratulations on purchasing your new air purifier

The BestWater Company thanks you for your purchase. You have made a good choice in buying our product. We hope you have many enjoyable years of pleasure by using our Air Purifier.

WARNING:

Please read our operations manual carefully through before you use this product. Misuse or incorrect understanding of our safety instructions can lead to an electric shock, fire and/or sever injury. Keep these safety and operation instructions in a safe location for future use.

Attention!

Do not open the appliance before you have removed the plug from the socket. Danger to life by electric shock! Only allow repairs to be carried out by authorised workshops.

Safety Instructions

- To avoid a fire and/or an electric shock only connect this appliance to a 230v socket.
- Pay attention when laying the electric cable, that you do not block passages or create a trip hazard for people. To minimise risk never lay the electric cable under carpets or alongside hot appliances such as ovens or heating units.
- Never submerge this appliance in water or other fluids. There is a danger of electric shock.
- Keep a clear distance from wet areas and do not operate this device in moist environments or rooms
- This appliance may only be installed or operated by a competent person who is physically and mentally capable of correctly understanding this operation` manual or has been sufficiently trained by a responsible person in its use.
- Do not allow children to play with the appliance or its packaging.
- Always remove the electric plug from the socket before you; move, open the cover, change a filter or service/clean the appliance.
- Unplug the electric cable when the appliance is not in use.
- Never cover the air intake or air exhaust as this can lead to damaging the blower motor
- Do not insert any objects into the appliance
- The use of this appliance must be halted if any damage to the function of the appliance is observed and it should be immediately replaced by an authorised dealer/workshop.
- Turn off the appliance and remove the plug if any defect or damage is noticed to the appliance.
- Do not try yourself to carry out any repairs or alterations such as electrical or mechanical to this appliance.
- This appliance shall only be used in internal rooms in accordance with the operating instructions.

- Never use this appliance outside in the open air.
- Always place this appliance on even, solid, stable, horizontal and dry surfaces.
- Always avoid direct sunlight, as this can lead to warping and paint dis-colouration of the plastic components.
- Keep a clear distance from heat sources and open flames.
- Warning: To avoid fire or electric shock never operate this product using a speed or power controller.
- Never handle the appliance's electrical cord/plug with wet hands.
- Never turn ON or OFF the appliance with wet hands.
- This appliance is not suitable for filtering oil or fatty air (such as in kitchens)
- Do not use this product in bathrooms or other damp environments.
- Do not use this air purifier in rooms where the appliance can come into contact with flammable or light flammable gasses.
- Before using this appliance ensure that all plastic packaging has been removed and the appliance is ready for use.
- The filter must be removed from the plastic packaging before first use of the appliance
- Always pull on the plug and never on the cord when unplugging the appliance.
- Always ensure that the appliance has been turned off prior to unplugging.
- To clean the appliance always use a soft and dry cloth. Never use conventional household cleaning products or similar.

Product Description

Illustration 1:

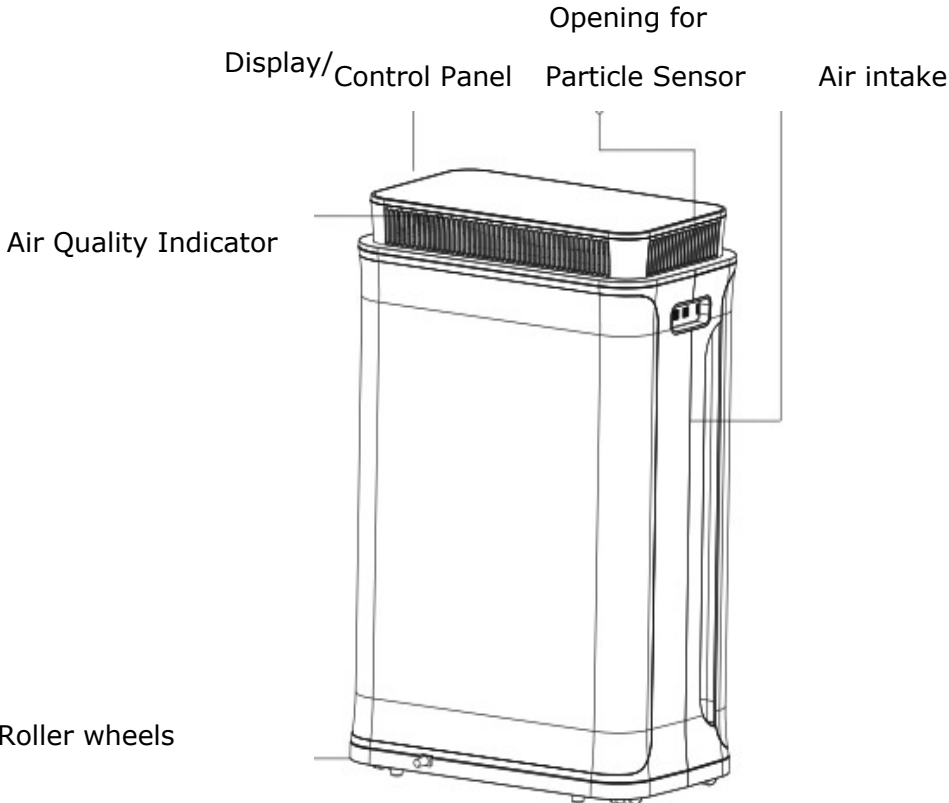


Illustration 2:

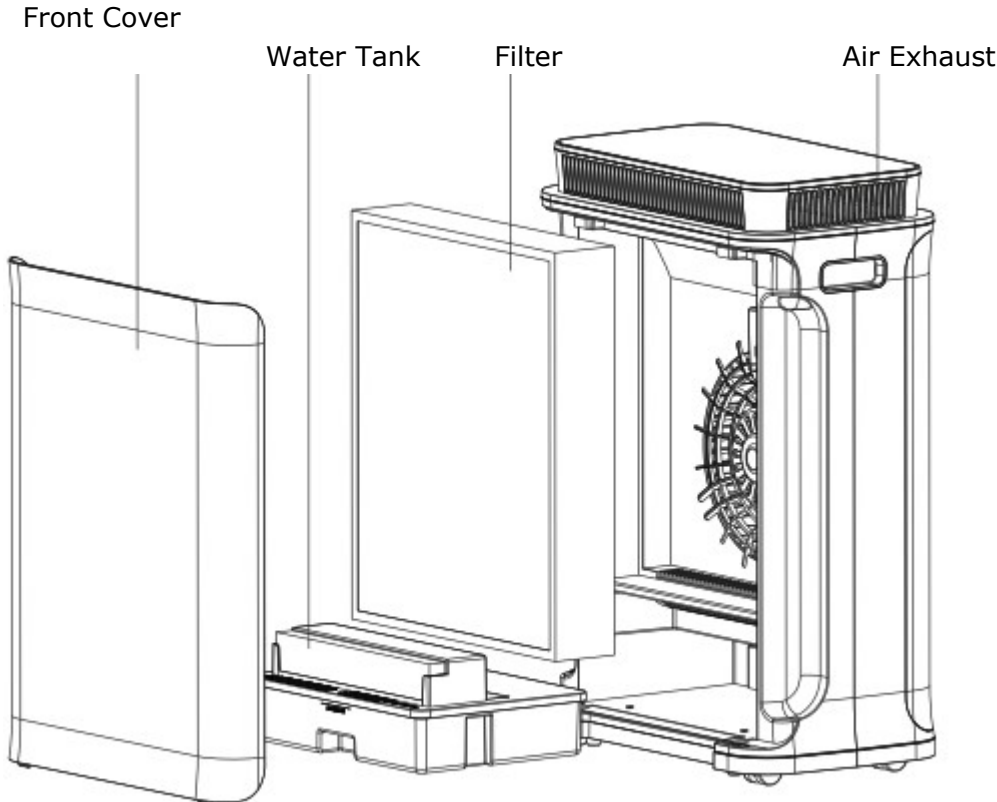


Illustration 3:

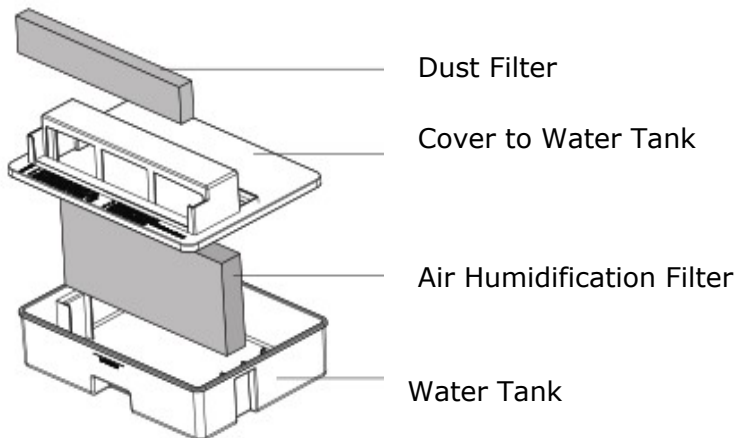
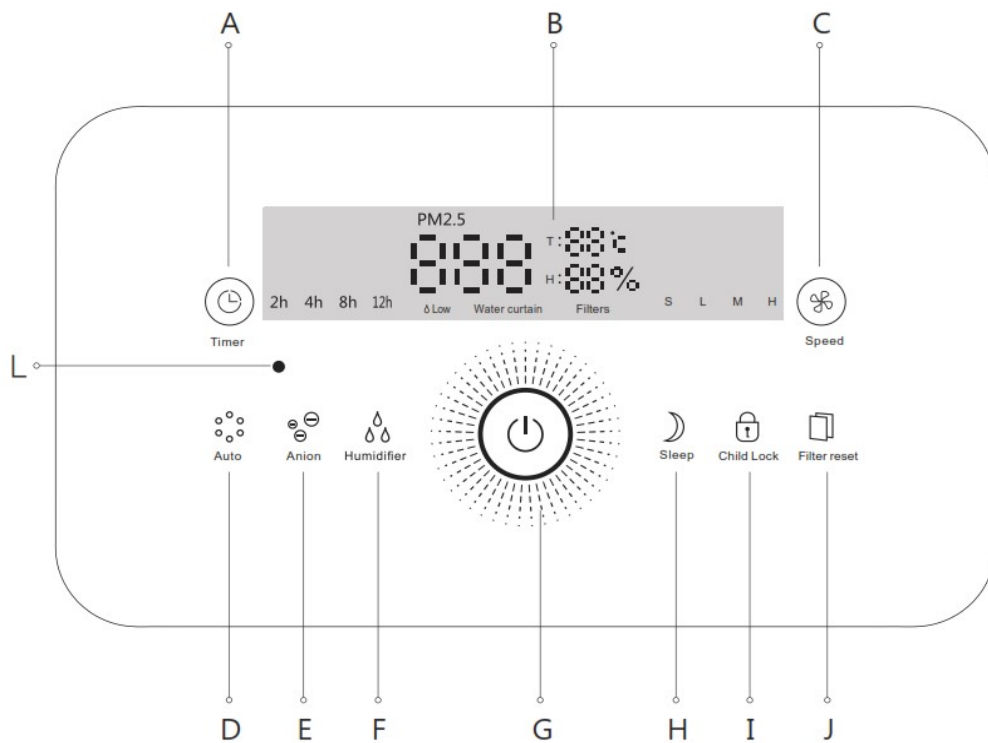


Illustration 4:



A	<i>Timer:</i> Setting the run period
B	Display
C	<i>Speed:</i> Setting the fan speed
D	<i>Auto:</i> Activate/Deactivate the Automatic control
E	<i>Anion:</i> Activate/Deactivate the Ionisators
F	<i>Humidifier:</i> Activate/Deactivate the Humidifying Function
G	<i>Power:</i> ON/OFF Switch
H	<i>Sleep:</i> Activate/Deactivate the Sleep Mode
I	<i>Child Lock:</i> Activate/Deactivate the Child Safety Lock
J	<i>Filter reset:</i> Reset the Filter replacement indicator
L	Light Sensor

Installation:

Plug in the appliance, it will emit a beep tone which signals that the appliance is in ready to operate mode.

Now press the ON/OFF (Power) button on the control panel. The appliance starts and signals again with another beep tone.

The „Power“-Symbol (⏻) changes in colour from red (in Standby-Mode) to white (during operation)

Basic Settings:

- Low air fan speed (I)
- Ionisator `on`
- All other functions are switched off.

The display will show the existing air humidity in %, the room temperature in °C and the quantitative fine particle pollution level (PM 2.5).

The air quality indicator shows the actual fine particle pollution level using several coloured LEDs in the air outlet.

PM 2.5 Pollution	Indicated Colour
>100	red (high pollution)
50-100	yellow (middle pollution)
<50	blue (low pollution)

Operation:



ON/OFF Switch of the air purifier:

By pressing the „Power“ button the air purifier is switch ON or OFF. In standby mode it glows red, during operation it glows white.



Regulating the air flow level:

By repeatedly pressing the button „Speed“ the desired level of air flow is regulated. Here you can choose from 4 different air flow speed settings:

Display-Indicator	Description
S	Silent mode (lowest air flow level)
L	Low air flow level
M	Middle air flow level
H	High air flow level

The desired air flow level is shown next to the „Speed“ button



Control of Sleep Mode:

The sleep mode function is activated and deactivated by pressing the „Sleep „button. On activating the sleep mode function the appliance goes into the lowest air flow mode (whisper mode)

Further to this all other functions including lights, display etc are deactivated, other than the ON/OFF button and the „OFF „sleep mode button

The light luminosity of the control indicators for „Power „and „Sleep“ are reduced to 50% By pushing any button, the lights will be reactivated. If there is no further activity within 3 seconds, the appliance reverts to sleep mode. If, however within the 3 seconds a further any key is pressed the appliance deactivates the sleep mode.

Light Sensor

The appliance is fitted with a modern light sensor.

The Air Purifier, in automatic mode, monitors the light level in the room. If you switch off the lights in the room, for instance when going to bed, the air purifier automatically switches to sleep mode. If the lights are switched on again or the sun comes up the Air Purifier independently switches back into automatic mode.



Control of the Ionisators:

By activating the „Anion-Button“ the Ionisator can be turned on or off. If the Ionisator is activated the corresponding key lights up in white.



Setting the Timer function:

By repeatedly pressing the „Timer-Key“, whilst the appliance is operating, you can set the run-time. Thereby there are run-time choice` available of 2, 4, 8, or 12 hours. The remaining run-time is indicated next to the „Timer Key“. By pressing the „Timer Key“ button again the Timer function is terminated, respectively turned off.



Resetting the Filter Replacement indicator.

- A) **Main Filter:** The Air Purifier signals when the air filter of the appliance shall be checked or replaced. This check/replace interval counts only for when the air purifier's operational use is considered normal. By usage above this level, such as in smoking households or households with pets, the filter should be checked/replaced more frequently.

Further information to this is available in the Chapter „Filter Replacement“ After checking or replacing the filter the filter change indicator needs to be reset. For this the respective button/key in the control panel needs to be confirmed.

B) The set of Filters in the Water Tank:

The Air Purifier signals when the filters in the water tank shall be checked or replaced. This check/replace interval counts only for when the air purifier's operational use is considered normal. By usage above this level, such as in smoking households or households with pets, the filter should be checked/replaced more frequently.

Further information to this is available in the Chapter „Filter Replacement“
After checking or replacing the filter the filter change indicator needs to be reset.
For this the respective button/key in the control panel needs to be confirmed.



Setting the Air Purifier to Automatic:

By confirming the key „Auto“ the automatic operating function is activated. The activation of this function is indicated by the „Auto“ key being illuminated. By turning on the air purifier's automatic function, the air purifier independently controls the selected air quality to the optimum level.

PM 2.5 Pollution	Air Purifier Level
>100	High
50-100	Middle
<50	Low



Setting the Humidifying Function:

By confirming the key „Humidifier“ the humidifying function is turned ON, respectively OFF. If the function is activated the button illuminates and a shutter is opened inside the appliance. By opening the shutter, the air flowing through the appliance is partly directed over the water tank and respectively the air humidifying filter, whereby it is moistened.

All other function can be still be altered whilst in the Humidifying mode




Controlling the Child Safety/Key Lock button:

To activate the Child Safety/Key Lock press and hold down the key for approx. 3 seconds. Once the Child Safety/Key Lock button is active the appropriate key illuminates and no other buttons can be operated. To deactivate the Child Safety/Key Lock, press and hold the key again for approx. 3 seconds.

Filter Changing:

The Filter should be replaced every 6-12 months depending on type and intensity of use.

A) Main Filter

Once the life span of the filter during normal use is reached the display „Filters“ illuminates and the key  blinks in red.

A continuous usage of the consumed filter can significantly reduce the cleaning action of the air purifier.

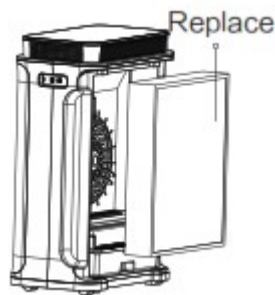
To change the filter please proceed as follows:

Always switch off the air purifier and remove the plug from the socket before you start with changing the filter.

Refer to the illustrations and descriptions below for changing the filters.



Remove the front
Cover




Replace the filter

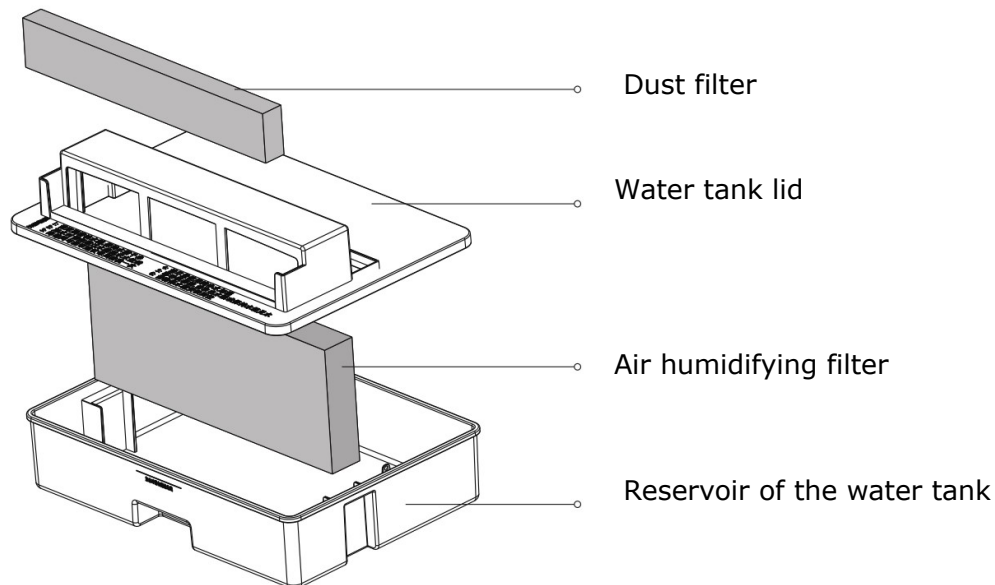


Re-mount the
front cover

After changing the filter, restart the appliance into operation. Press and hold the „Filter reset“ key for approx. 5 seconds to reset the „Filter reset“ display to reset.

B) Filter set in the Water Tank

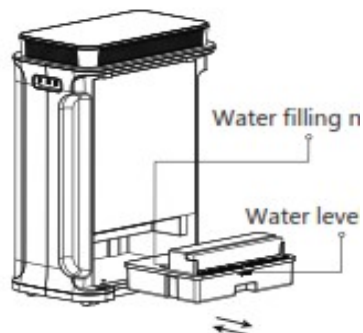
Once the life span of the filter in the water tank is reached through normal use, the Display will illuminate „Water curtain“ and the key  will blink in red. Continued further use of the consumed filter can significantly reduce the cleaning and humidifying action.



To change the filter please proceed as follows: Always switch off the air purifier and remove the plug from the socket before you start with changing the filter. Refer to the illustrations and descriptions below for changing the filters.



Remove the front cover.



Remove the water tank, replace the filter and push it back in.

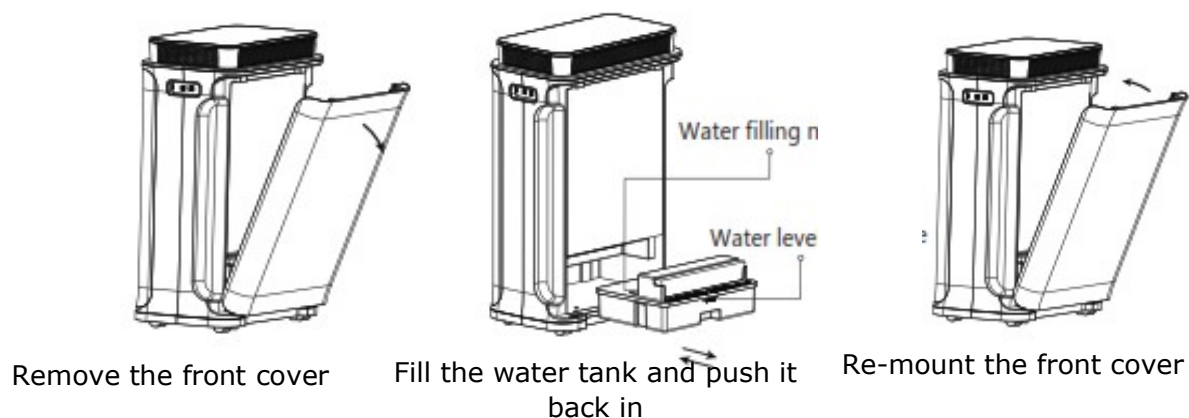


Re-mount the front cover.

After changing the filter, restart the appliance into operation. Press and hold the „Filter reset“ key for approx. 5 seconds to reset the „Filter reset“ display to reset.

Filling the water tank:

Before you operate the Air Purifier please fill the water tank up to the water Level mark with cold clear water. To do this always switch off the air purifier and unplug the plug from the socket. See the illustrations and descriptions below.



The Air Purifier is fitted with timer-based water level monitor which advises you when to review the water level. The timer measurement begins when you switch on the humidifying function.

As indicated, the water level monitor behaves as following:

Air Flow speed	Run time till Water level Status Low
High	10 Hours
Middle	12 Hours
Low	14 Hours
Whisper mode/Sleep function	16 Hours

The water level monitor is automatically reset when switching off the humidifier function.

Servicing and Cleaning of the Water Tanks and its components:

Monitor and clean regularly the dust filter in the water tank. The dust filter can be carefully clean under flowing water. Afterwards leave the filter to dry prior to reinstalling it into the water tank. We recommend a weekly cleaning of the dust filter.

The air humidifying filter should equally be monitored and cleaned weekly.

As such it can be dipped/inserted in cold clear water and carefully cleaned with a fine paint brush or brush.

Afterwards re-insert the air humidifier filter back into the water tank.

The dust filter and air humidifying filter should be replaced every 6-12 months depending on type and intensity of use.

To replace the filters first remove the water tank (as described under „Filling of water tank“) and replace ultimately both filters. The cover to the water tank must be opened in order to remove the humidifier filter.

After you have replaced the filters, fill the water tank with clean cold water and insert back into the appliance.

Trouble Shooting

Error	Solution
Appliance will not start	Is the front cover correctly inserted? Is the life span of the filters reached?
Appliance is very loud	Are the filters correctly inserted? Is the packaging of the filters removed?
Only low level of air purifying	Are the filters correctly inserted? Is the packaging of the filters removed?
The PM 2.5 concentration remains high even after a long usage.	Are the filters correctly inserted? Has the packaging of the filters been removed? Is the room in which the appliance is operating to large? Are doors and windows open? Is the appliance operating with the highest air flow speed?
Unusual values of air quality shown	Is the opening of the Particle sensors blocked or congested?

Technical Details

Voltage:	230V~/50Hz
Rated Capacity:	50W
Timer (Hours):	2, 4, 8 und 12
Weight:	10,5 kg
Dimensions (B*T*H):	416x251x625 mm
Water Tank:	3 Litre
Noise Emission:	59dB(A)
Air Flow Rate:	max. 350 m ³ /h
Humidification Rate:	max. 300 ml/h

**BWI BestWater GmbH
Hermann-Löns-Straße 17
14547 Beelitz
Germany**

**Tel: +49 33204 62860
Fax: +49 33204 628612**

www.bwishop.de



This product must not be disposed of in normal household rubbish. This air purifier must be disposed of in a recycling depot for electronic and electrical appliances. More information concerning acceptable recycling depots is available from your local council or city administration.